

THREE WAYS MOTORIZED ZONE VALVE "ZONNY"

CONNECTIONS:

DISMANTLING FITTINGS MALE



HYDRAULIC FEATURES

The three ways zone valve "ZONNY" is normally used in managing systems where a flow coming from a main conduit needs to be directed to two different destinations or vice versa. These valves are usually installed in integrated plants, where there is a need to activate one of the two energy sources differently. Likewise in industrial plants (compatible with operating conditions), the valve is used where servomechanism interception and deviation are required. The valve rotates in an angle of 90° as a consequence, while it is closing one side, it simultaneously opens the other side; during this manoeuvre, the three ways are in connection with each other for a short while. Once the manoeuvre is finished, the valve turns to be a diverting valve in all its aspects. The use of a three way valve with three-holed sphere is recommended if the diverted ways can temporarily be connected between each other. The activation of the circulator/pump (max. limit at 1 A) can be carried out directly using the contacts of the valve itself. The open contact (N.A.) allows control over any other device with a maximum rating of 2 A.

TECHNICAL FEATURES

Pressure:	
Maximum allowable working pressure (PN)	16 bar
Differential pressure max.	16 bar
Temperature:	
Maximum allowable fluid temperature (TS)	0°C +110°C
Ambient working temperature	-10°C ÷ 50°C
Compatible fluids:	
heat transfer fluids	in compliance with Italian national standards (UNI 8065 § 6)
water	
glycolate solutions	(glycol) 50%
Threading:	
Pipeline connection	threads according to ISO 228/1
Requirements and tests as per	EN 8156

ELECTRICAL FEATURES

Supply voltage	220÷230 VAC 50÷60 Hz
Protection class	IP 54
Power consumption	3.8 VA
Torque	8 Nm
Operating time	45 sec (90°C rotation)
Micro-switch contact capacity	220V - 2 A
Electric protection	double isolation <input checked="" type="checkbox"/>
Cable length	0,8 m
In compliance with European Directives:	2004/108/CE - 2006/95/CE - 2006/42/CE - - 2002/95/CE e 2008/35/CE CE

DESIGN

Body and sleeves in brass EN 12165 - CW617N nickel-plated with electrodeposited coating EN 12540 (Cu/Ni5s)
Ball in brass EN 12164 - CW614N chrome-plated with electrodeposited coating EN 12540 (Cu/Ni5sCr)
Other components in brass EN 12164 - CW614N
Seat washers in PTFE
O-ring gaskets in EPDM peroxide rubber

PRODUCT CODES

2403.015 dism. fittings male 1/2"

2403.020 dism. fittings male 3/4"

2403.025 dism. fittings male 1"

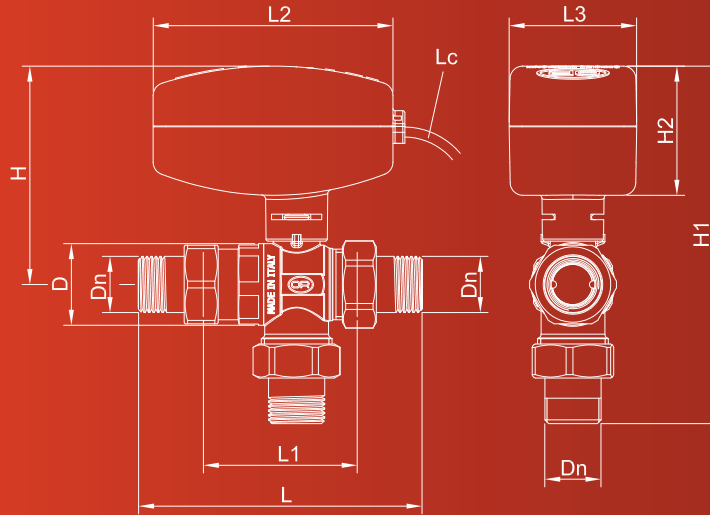
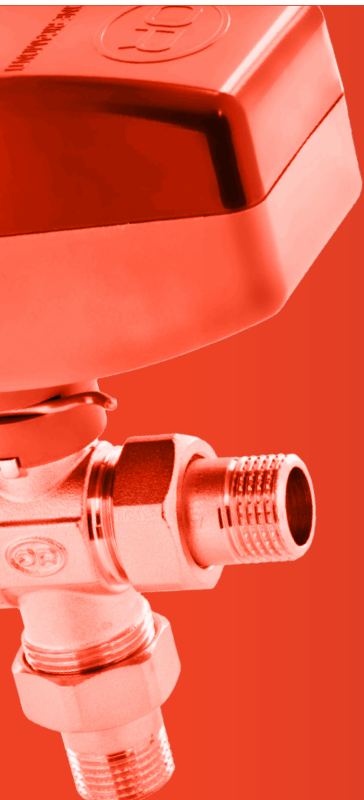


OFFICINE RIGAMONTI S.p.A.
via Circonvallazione, 9
13018 Valduggia (VC), ITALY
TEL +39 0163.48165
FAX +39 0163.47254
www.officinerigamonti.it
export@officinerigamonti.it

2403 • 1/2" - 1"

THREE WAYS MOTORIZED ZONE VALVE "ZONNY"

CONNECTIONS: DISMANTLING FITTINGS MALE



FEATURES

Dn	D	L	L1	L2	L3	Lc	H	H1	H2
1/2"	Ø33	115	60	113	60	~800	100	160	61
3/4"	Ø38.5	133.5	72.5	113	60	~800	103	169	61
1"	Ø47	149.5	79.5	113	60	~800	107	184	61

HEAD LOSS DIAGRAM

