

TECHNICAL DATA

POWER SUPPLY: 2 ALKALINE BATTERIES 1.5 V AAA
 TEMPERATURE RANGE: (+5...+37)°C
 FROST PROTECTION TEMPERATURE RANGE: (+2...+8)°C
 TEMPERATURE DIFFERENTIAL: (0,2 - 0,5)°C selectable
 SENSING ELEMENT: NTC
 DEGREE OF PROTECTION: IP20
 OUTPUT: RELAY
 CONTACT RATING: 5 A 250 V AC
 MOUNTING: TO THE WALL

fig. 1

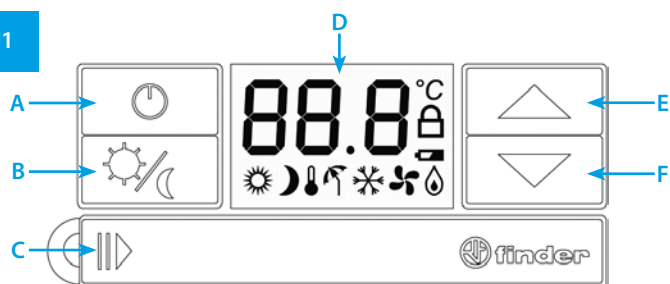


fig. 2

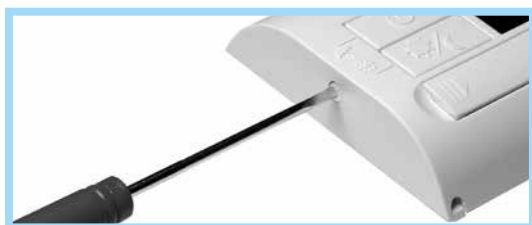


fig. 3

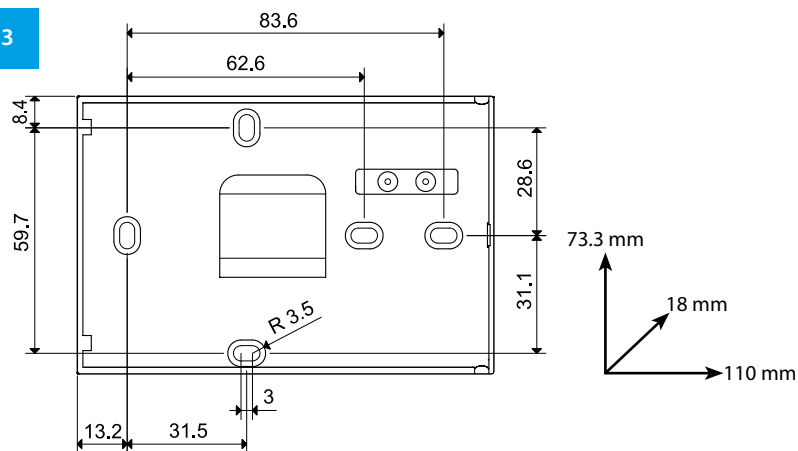


fig. 4

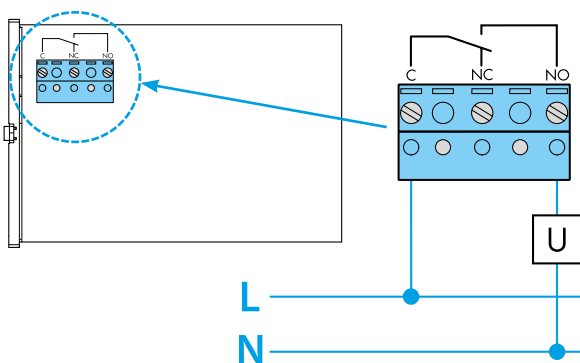
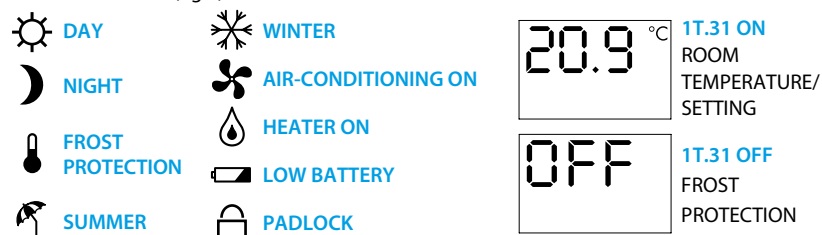


fig. 5


THERMOSTAT CONTROL KEYS (fig.1)

- A ON/OFF (WITH FROST PROTECTION)
- B DAY/NIGHT
- C BATTERY COMPARTMENT
- D DISPLAY
- E INCREASE
- F DECREASE
- A+B SUMMER/WINTER

DISPLAY LEGEND (fig.1)

INSTALLATION AND CONNECTIONS

- SAFETY REQUIREMENTS:** before connecting this programmable thermostat, make sure that the supply voltage to the load to be controlled (heater, pump, etc.) is not connected and that the load is within the values shown inside the thermostat.
- POSITIONING:** install the programmable thermostat away from sources of heat (heaters, direct sunlight, kitchens) and from doors/windows, at a height of about 1.5 m above the floor.

INSTALLATION

- Release the small tooth with the aid of a screwdriver (fig.2).
- Fix the base on the wall (fig.3).
- Connect the load to the terminals following the wiring diagram (fig.4).

ELECTRICAL CONNECTIONS (fig.4)

- U equipment load
- C common terminal
- NO normally open terminal
- NC normally closed terminal

THERMOSTAT START-UP/SWITCHING OFF

Press the key

TEMPERATURE DIFFERENTIAL SETTING

With the thermostat turned OFF, it is possible to set the temperature differential. Press at the same time the keys + for 1 second and then set up the value to 0.2°C or 0.5°C with the increase key or decrease key . After a few seconds the OFF on the display, will appears.

FROST PROTECTION OPERATION

With the thermostat turned OFF, Frost Protection remains active. It is possible to set the Frost Protection temperature between (+2...+8)°C with the key or . Should the heater turn ON the icons appear on the screen.

SUMMER / WINTER SETTING

The thermostat can be used for "summer" or "winter" operation, depending on whether connected to an air-conditioner or to a heater. Press at the same time the keys + for 1 second, to pass from the summer function to winter and viceversa. For the summer function, will appear the beach-umbrella icon (with fan icon when 1T31 is ON) and for the winter function, will appear the snow icon (with flame icon when 1T31 is ON).

DAY/NIGHT SETTING

Press the key, for setting up the day or night function. On the screen will appear the sun icon for the day function and the moon icon for the night function.

SETTING THE TEMPERATURES

When setting the temperature, first choose the summer or winter, day or night functions and then, set up a value between (+5...+37)°C with the increase key or decrease key . Press the key or for 1 second, to show the temperature setting. Press the key or for 2 second, to modify the temperature setting by 0,1°C. Press the key or for 5 second, to modify the temperature setting by 1°C.

OPERATIONAL NOTES

- During operation the room ambient temperature is displayed on the screen.
- When the heater is ON, the flame icon appears on screen .
- When the air conditioning is ON, the fan icon appears on screen .

THERMOSTAT LOCK

Press the + keys for 3 seconds to lock or unlock the thermostat. The symbol shows, signifying that the thermostat is locked.

BATTERY

POWER SUPPLY: 2 ALKALINE BATTERIES 1.5 V AAA. When the batteries are low, the "low battery" icon appears on screen; for changing the batteries, see fig.5. Please dispose of the worn out batteries according to prevailing regulations rules.

