

**Fernox Total filter  
TF1**

The logo for TopioMAX features the word "Topio" in red, with a red flame icon above the letter 'i'. The word "MAX" is in black. The logo is centered within a large, stylized circular graphic composed of multiple overlapping, semi-transparent bands in shades of light blue and light green.

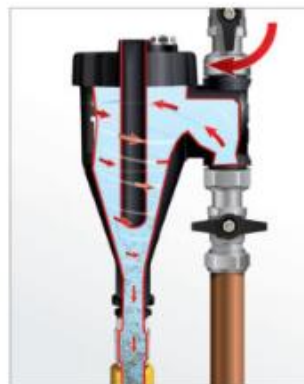
**TopioMAX**



1. Close inlet and outlet valves



2. Remove magnet

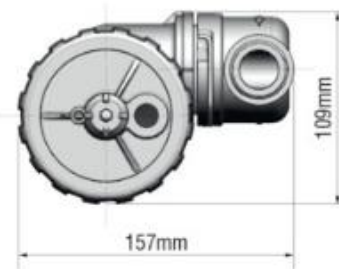
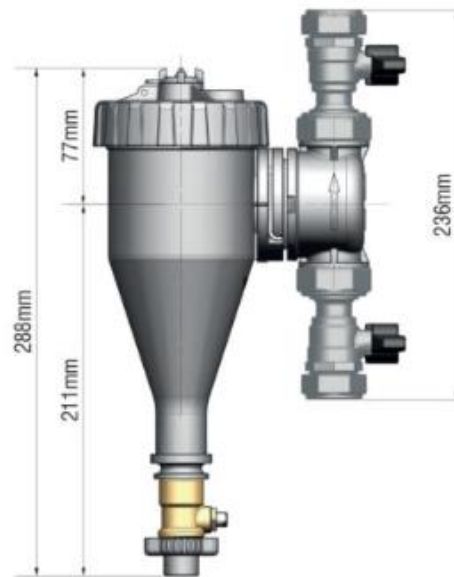


3. Open outlet and drain valves

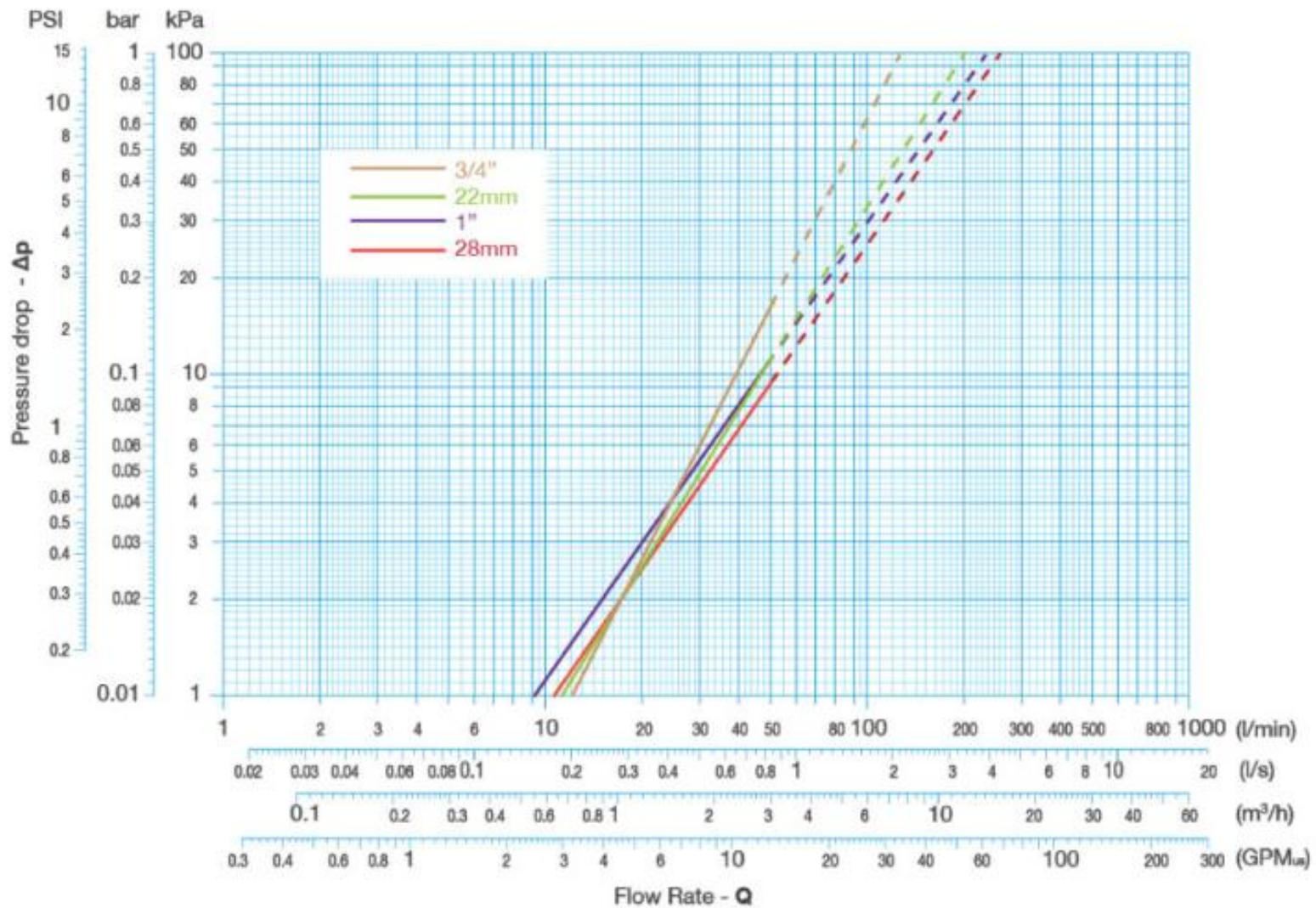


4. Close drain valve, replace magnet and open inlet valve

### Схема за почистване



### Размери



Диаграма за дебит

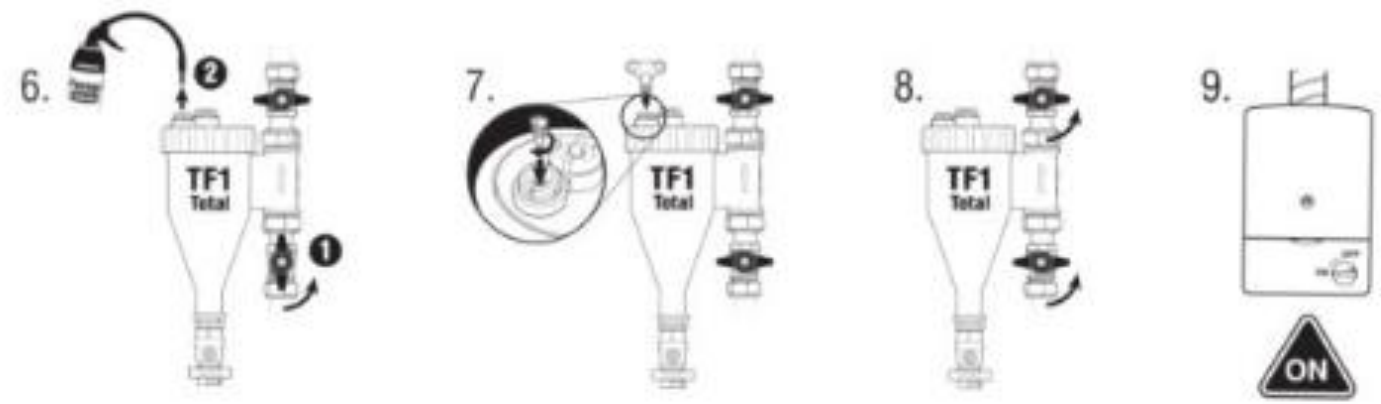
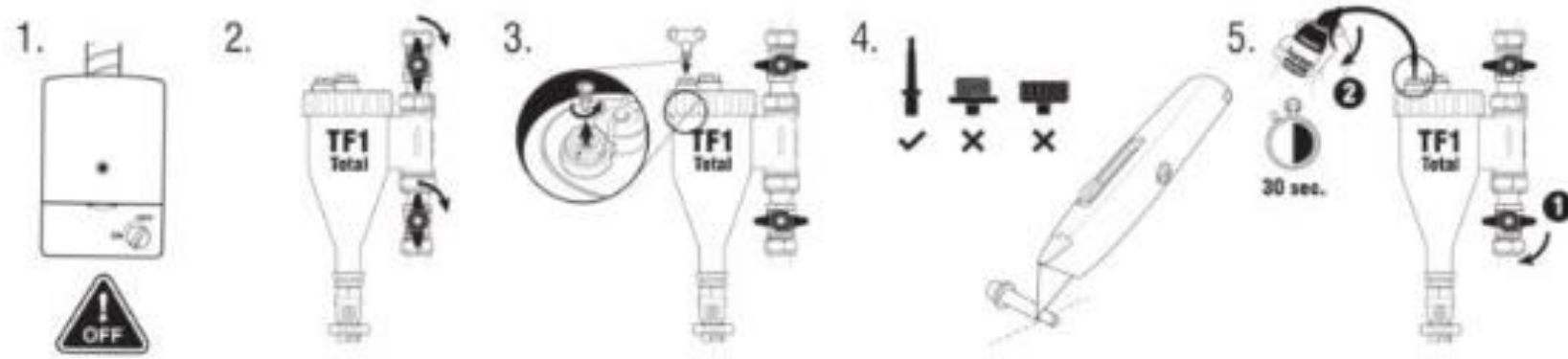
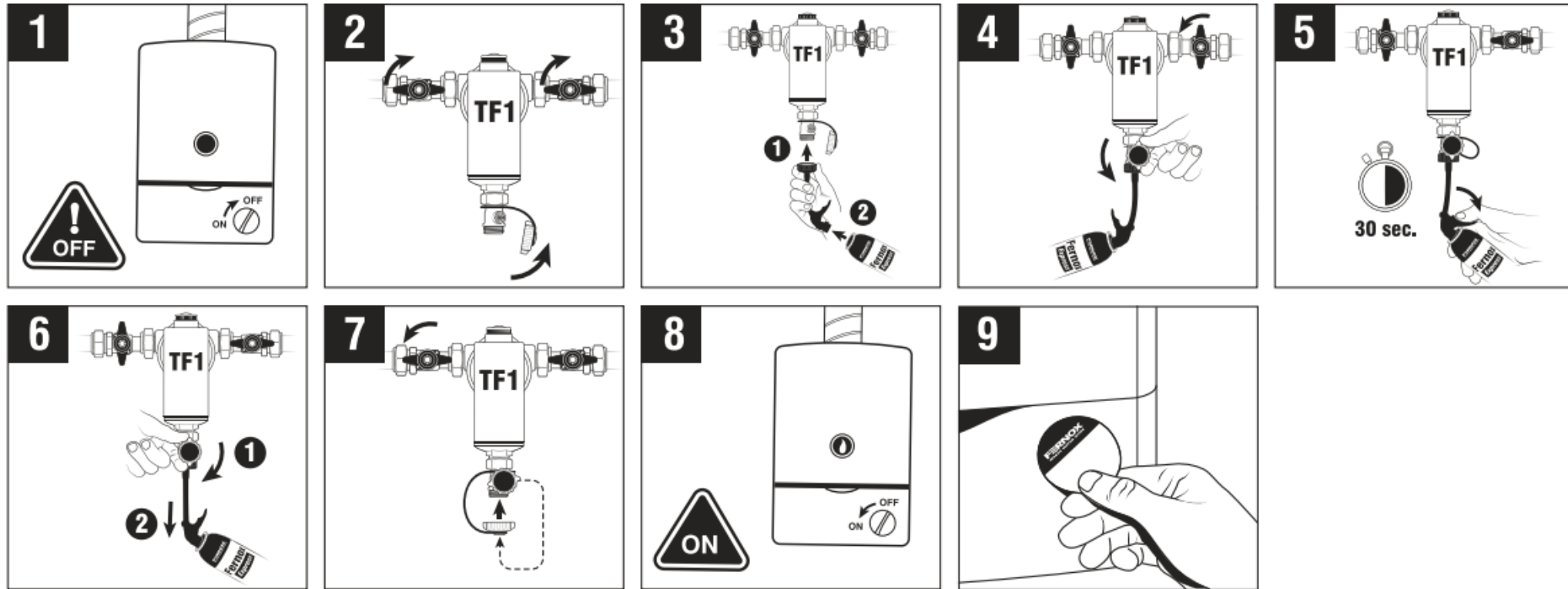


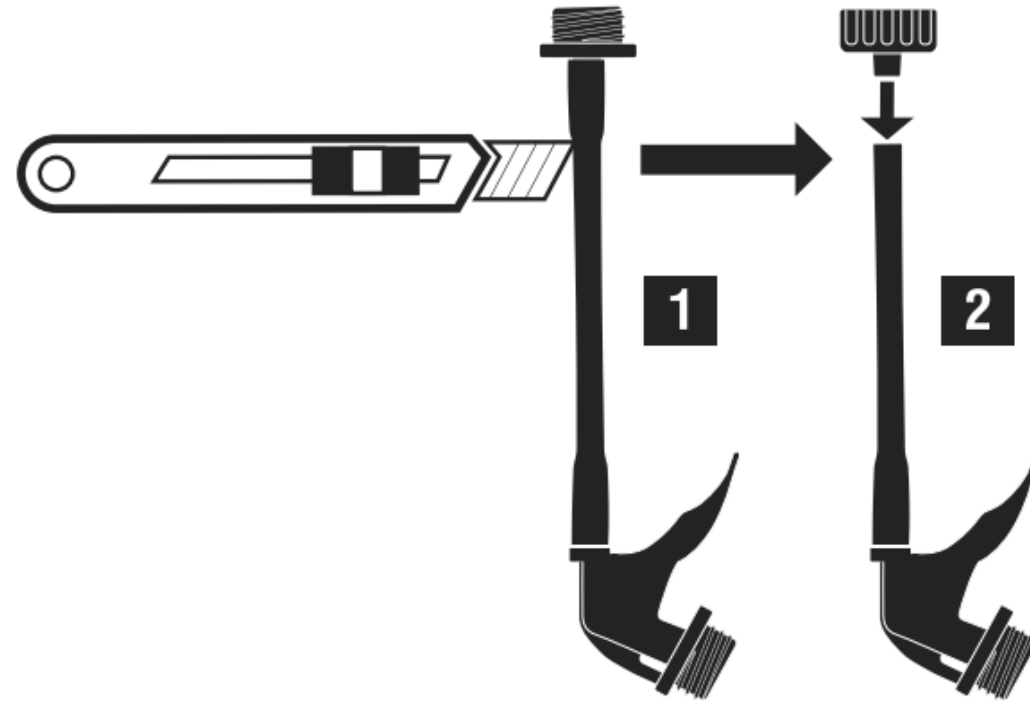
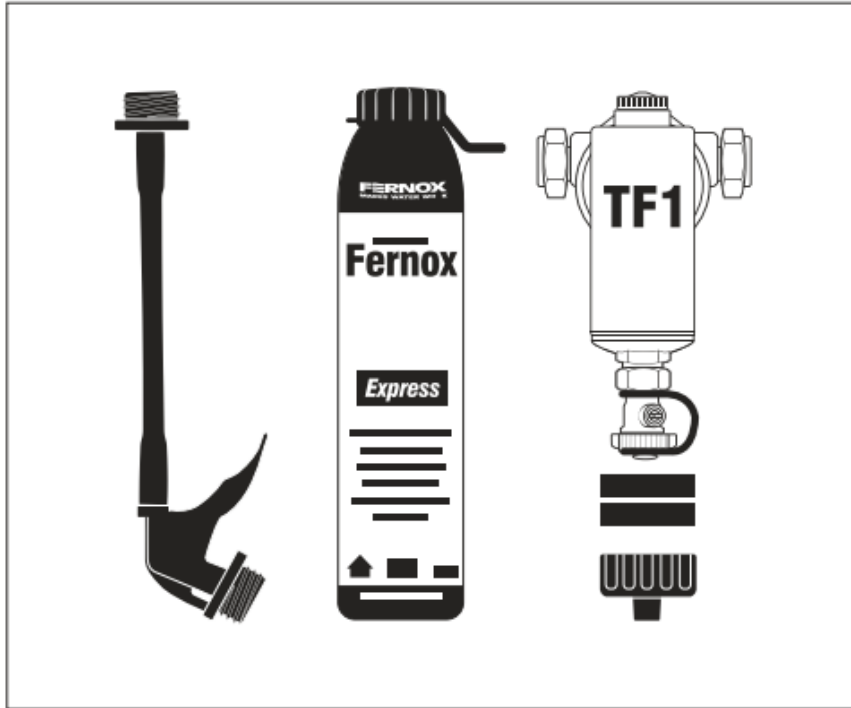
Схема за употреба на препарат във флакон под налягане

# How to dose Fernox Express via a Fernox TF1 Filter



**1.** Turn off the boiler. **2.** Remove the drain valve cap and close inlet/outlet valves. **3.** Attach the TF1 Filter Adapter and screw onto the drain valve. **4.** Open the drain valve and inlet valve. **5.** Squeeze the Express trigger for 30 sec. **6.** Close the drain valve and unscrew the Adapter from the TF1 Filter. **7.** Open the outlet valve and replace the drain valve cap. **8.** Turn on the boiler. **9.** Complete and apply the re-treatment label.

# How to fit the TF1 Dosing Adapter to a Fernox Express trigger for easy dosing into the system



**1.** Take the Fernox Express trigger and cut off the existing Adapter where it fits into the soft, flexible tubing. **2.** Take the TF1 Adapter supplied with the Fernox Filter and insert into the flexible tube of the Express trigger. Push the Adapter into the tube for a snug fit. **3.** Attach the assembled Express trigger to the TF1 Filter and follow the instructions overleaf to complete the dosing process.

# UNIQUE

TWIST

CLICK

LOCK

Innovative feature which allows a TF1 Filter to be positioned and locked into up to 24 orientations, saving valuable time on-site.

1. Using a flat end screwdriver in the recess shown, gently lever the locking clip into the 'unlock' position.



2. Pull the inlet/outlet port approximately 3 mm away from the body to allow rotation to the required position.



3. Push the inlet/outlet port back towards the body of the unit to prevent further rotation.



4. Push the locking clip securely back into the 'lock' position.



# INNOVATIVE

## Protector+ Filter Fluid

### What is Protector+ Filter Fluid?

An innovative inhibitor and dispersant package that detects and delivers sludge and debris to any system filter.

- Protects the system against corrosion and scale formation
- Perfect partner to the TF1 Filter range
- Increases the effectiveness of any filter
- Maximises the ongoing cleaning process by delivering any remaining system debris to a filter (even after cleaning the filter)



# TF1 RANGE

## A NAME YOU CAN TRUST...



## A NAME YOU CAN TRUST

Extensive technical research and customer feedback has led to the development of the improved Fernox TF1 Filter range.

**TF1 Total Filter** and **TF1 Compact Filter** offer installers the complete solution.



Hydrocyclonic action and specially designed magnet assemblies to remove, trap and contain both magnetic and non-magnetic debris



Award-winning technology



Quick and easy to install – saving time on-site



'Twist, click & lock' technology makes installation even easier – no 'O' rings



Cleaned in seconds – with no need to dismantle the filter



Supplied with best quality valves as standard

## TF1 TOTAL FILTER

- Available in 22 mm and 28 mm versions
- Designed to be able to dose Fernox 'F' range products
- Optimised conical shape for enhanced hydrocyclonic action
- Award-winning filters. Voted by the trade



## TF1 COMPACT FILTER

- Ideal for kitchens, utility rooms or new builds where space is limited
- Can be installed in up to 24 orientations and operates at a 45° angle if headroom clearance does not otherwise allow a filter to be fitted
- Available in 22 mm version
- Designed to be able to dose with Fernox Express range of aerosols



## CLEANING ANY TF1 FILTER



1. Close inlet/outlet valves.
2. Remove magnet.



3. Open outlet and drain valves.
4. Drain sludge and debris.
5. Close drain valve, replace magnet and open inlet.

**No need to remove lid collar to clean the filter.**