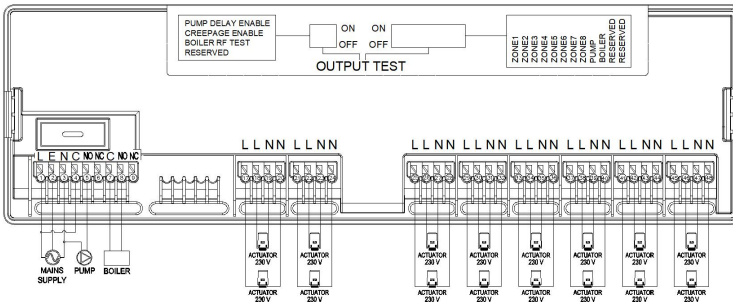
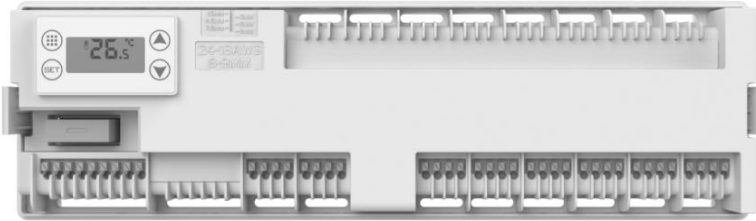


RF 8 zone central controller manual

Thank you for your choosing our product and services, it is wireless 8 zone central controller which work with RF thermostat to control water pump, gas boiler and valve.



Specifications

- ✧ Working Voltage: 90-240VAC
- ✧ Load current: 5A
- 50/60Hz
- ✧ Size: 320mm X 95mm X 38mm

Icon function description

:Corresponding RF thermostat is connected corresponding valve output

IP:communication address of wireless central controller, and RF thermostat IP must be the same as it

Button function description

:short press to display IP and room status

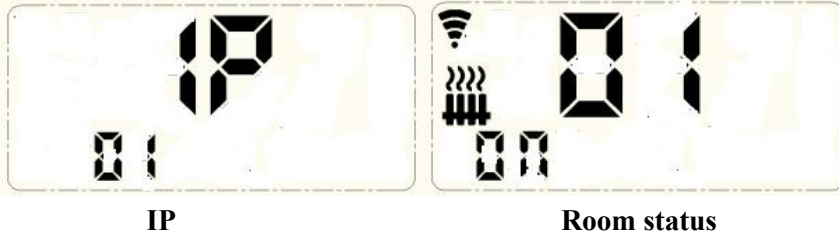
;Increase or decrease key, set IP address or select zone status

: Display IP status: in the display IP address status, long press the button to enter

the IP address setting, the setting is completed, short press again to confirm

Display room status: in display area status, short press to switch between manual/automatic display area 1~8 status
DIP switch setting instructions

Display diagram



The IP address of the thermostat must be the same as that of HY521

Switch Setting Instructions

OUTPUT TEST: in regular use, switch set to OFF ,When installed, each output can be set to ON, corresponding valve or boiler will start to work ,after installed, please set switch to OFF

ZONE1~ZONE8:Corresponding to each zone valve output

PUMP:water pump output

BOILER:boiler output

PUMP DELAY ENABLE : water Pump start delay setting

CREEPAGE ENABLE:Descaling function settings

Installation diagram

